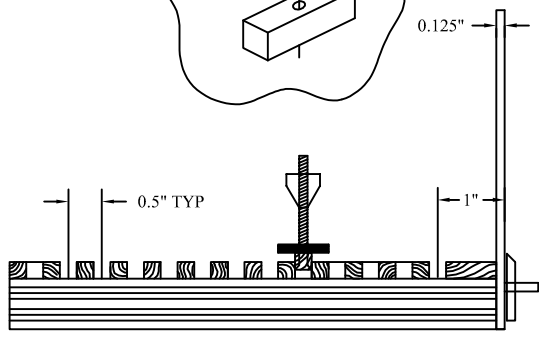
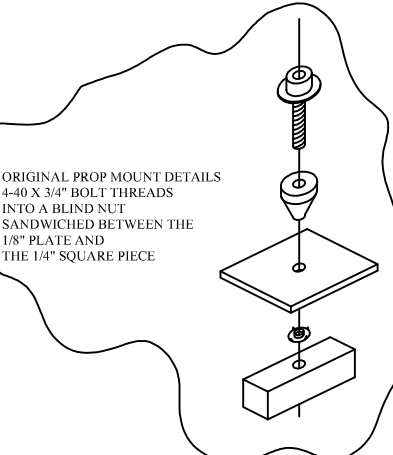
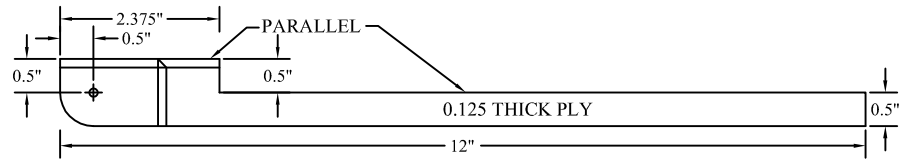
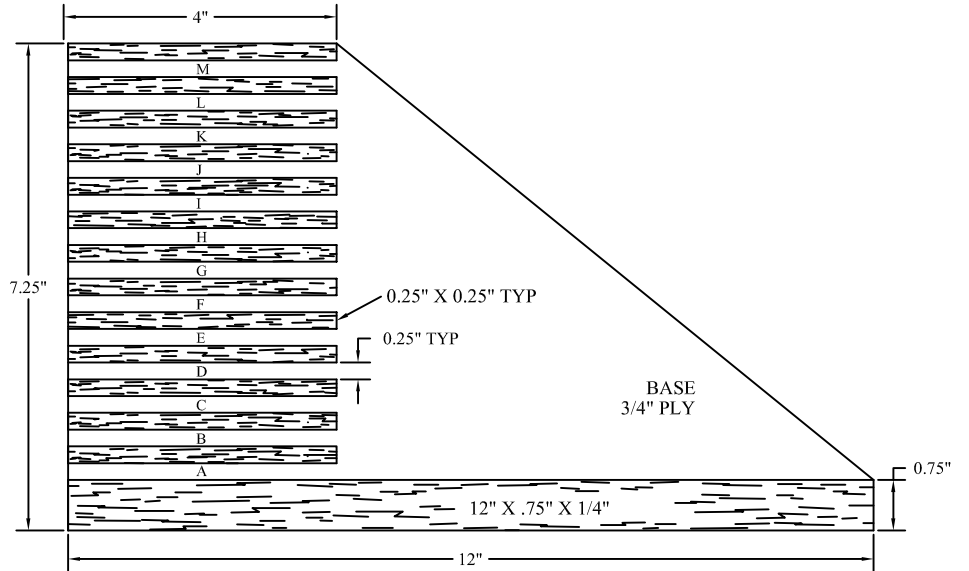
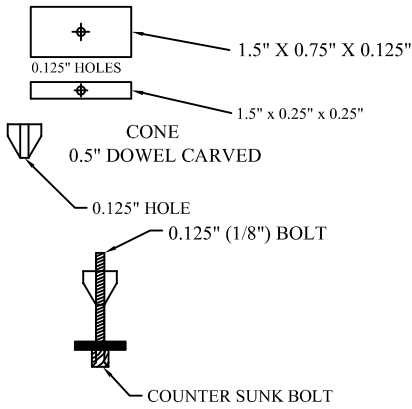


PROP MOUNT PARTS



HOOPTREETOO PROP PITCH GAUGE

SLOT	A	B	C	D	E	F	G	H	I	J	K	L	M
RADIUS	1	1.5	2	2.5	3	3.5	4	4.5	5	5.5	6	6.5	7
PITCH	-13	-13	-13	-13	-13	-13	-13	-13	-13	-13	-13	-13	-13
	-12	-12	-12	-12	-12	-12	-12	-12	-12	-12	-12	-12	-12
	-11	-11	-11	-11	-11	-11	-11	-11	-11	-11	-11	-11	-11
	-10	-10	-10	-10	-10	-10	-10	-10	-10	-10	-10	-10	-10
	-9	-9	-9	-9	-9	-9	-9	-9	-9	-9	-9	-9	-9
	-8	-8	-8	-8	-8	-8	-8	-8	-8	-8	-8	-8	-8
	-7	-7	-7	-7	-7	-7	-7	-7	-7	-7	-7	-7	-7
	-6	-6	-6	-6	-6	-6	-6	-6	-6	-6	-6	-6	-6
	-5	-5	-5	-5	-5	-5	-5	-5	-5	-5	-5	-5	-5
	-4	-4	-4	-4	-4	-4	-4	-4	-4	-4	-4	-4	-4
	-3	-3	-3	-3	-3	-3	-3	-3	-3	-3	-3	-3	-3
	-2	-2	-2	-2	-2	-2	-2	-2	-2	-2	-2	-2	-2

TICS FOR SLOT A
PITCH 2, 3, AND 4
0.375"
1.25"
POINTER PIVOT POINT
SCREW TO 3/4" PLY (TYPICAL)
12"
5"

DIRECTIONS

LOCK PROP TO PROP MOUNT WITH CONE ON TOP OF PROP
PLACE PROP MOUNT IN A SLOT SUCH THAT PROP EXTENDS FRONT TO BACK
SLIDE PROP LEFT AND RIGHT TILL THE POINTER EDGE TOUCHES THE BLADE BOTTOM
POINTER EDGE SHOULD TOUCH THE BLADE BOTTOM AND BE PARALLEL TO IT
FIND THE VERTICAL LINE THAT CORRESPONDS TO THE SLOT BEING USED
READ THE PITCH FROM INTERSECTION POINT OF POINTER TOP EDGE AND VERTICAL LINE



HOOPTREETOO PROP PITCH GAUGE

UPDATED HOOPTEE PITCH GAUGE
INCREASED RADIUS TO 7"

Special Thanks To Mr. John F. Kilsdonk
Originator Of The Hooptee Pitch Gauge

Drawn By: John Byrne
Calculations by John Byrne
johnbyrne@bellsouth.net

Last Rev
1/9/09