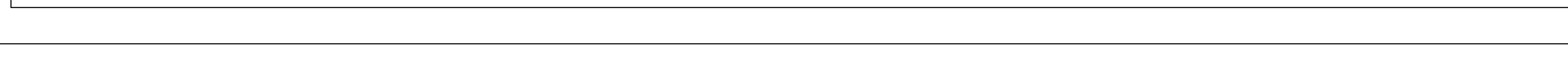
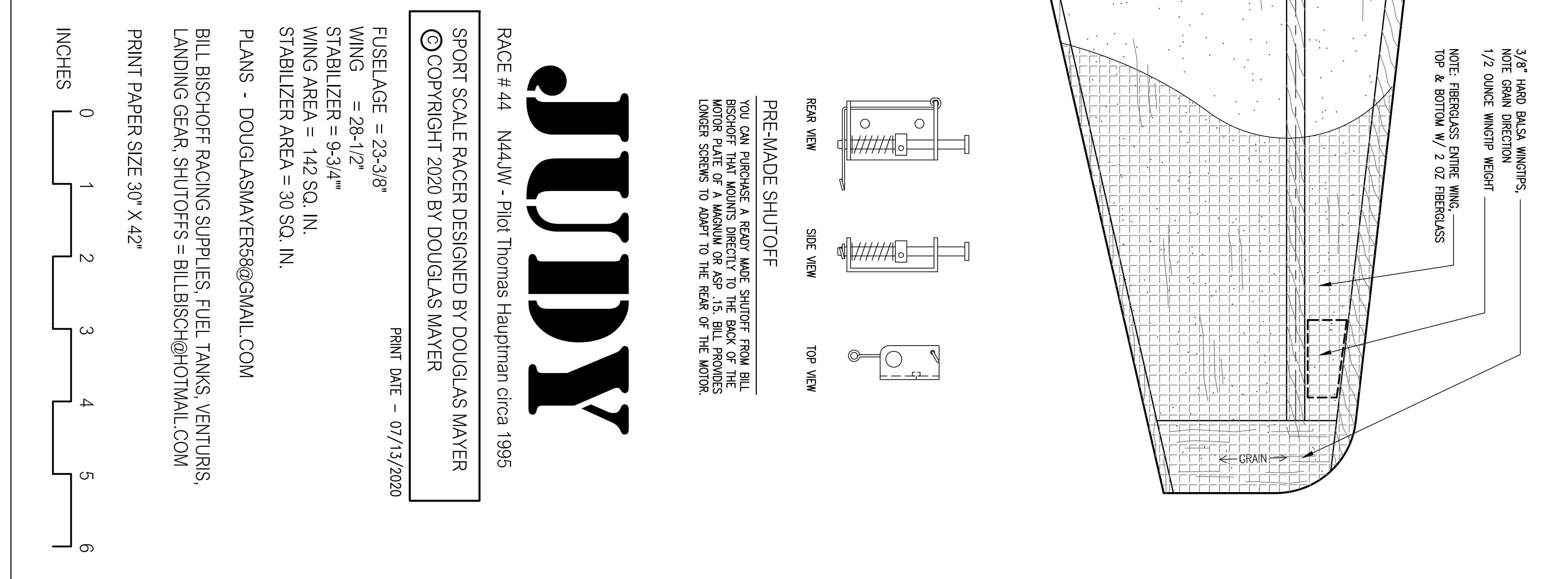
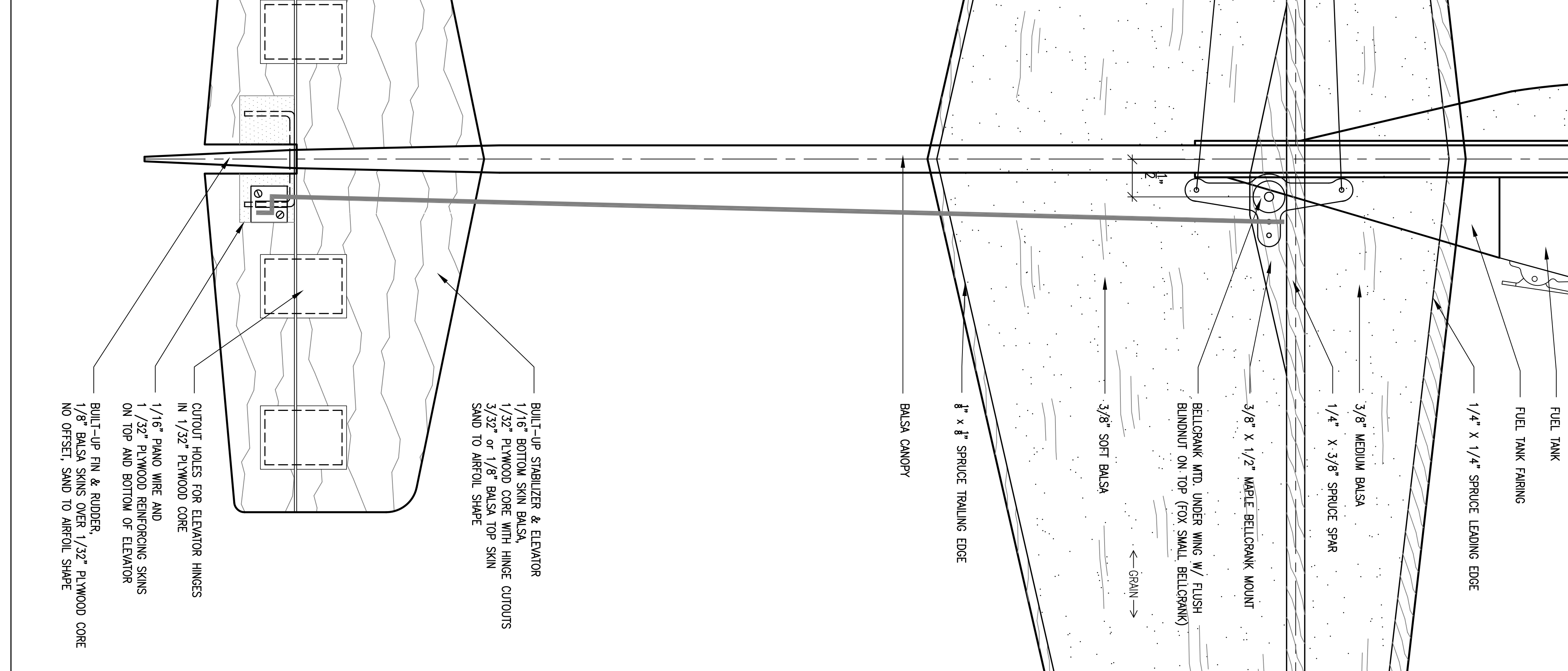
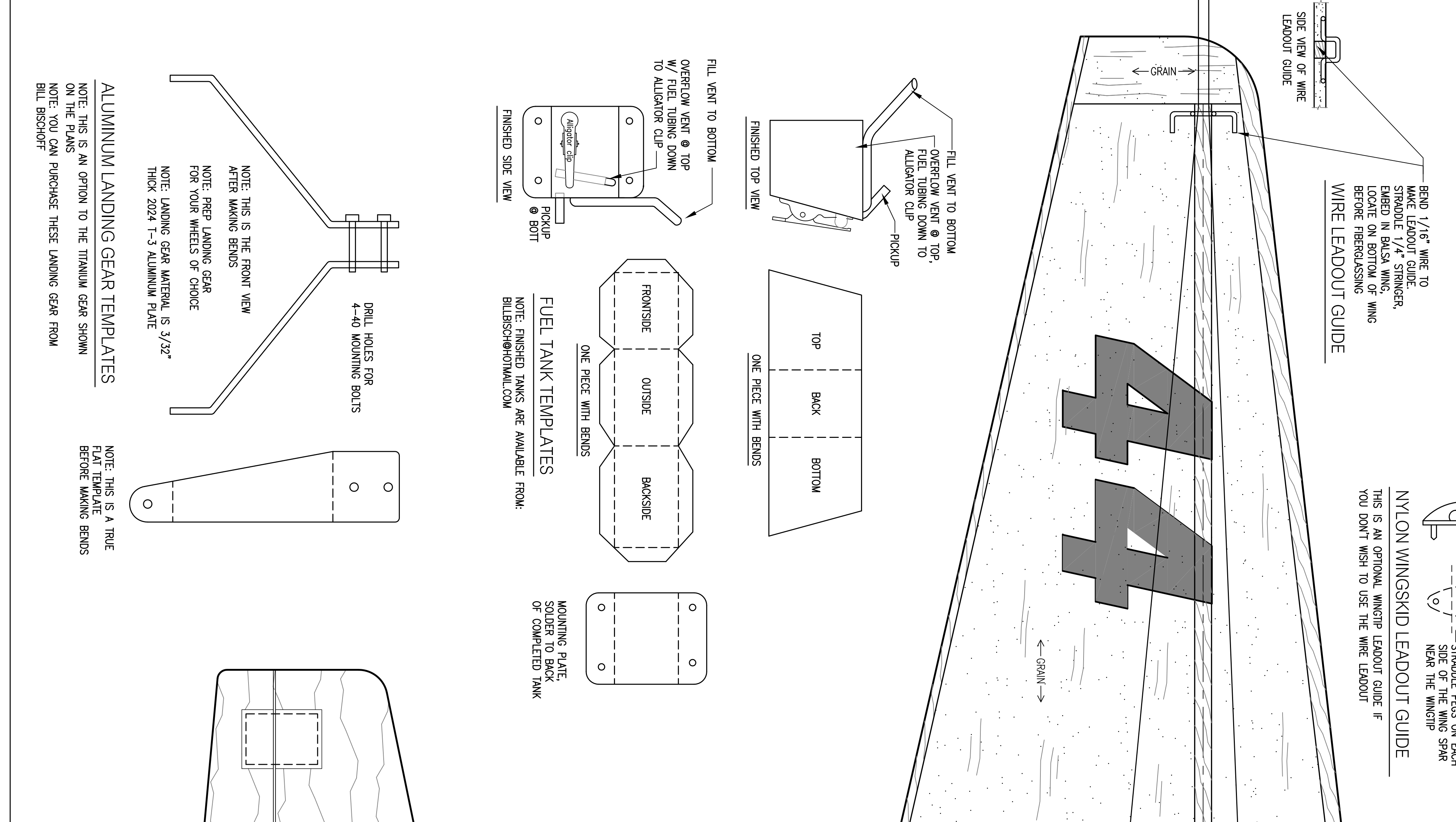
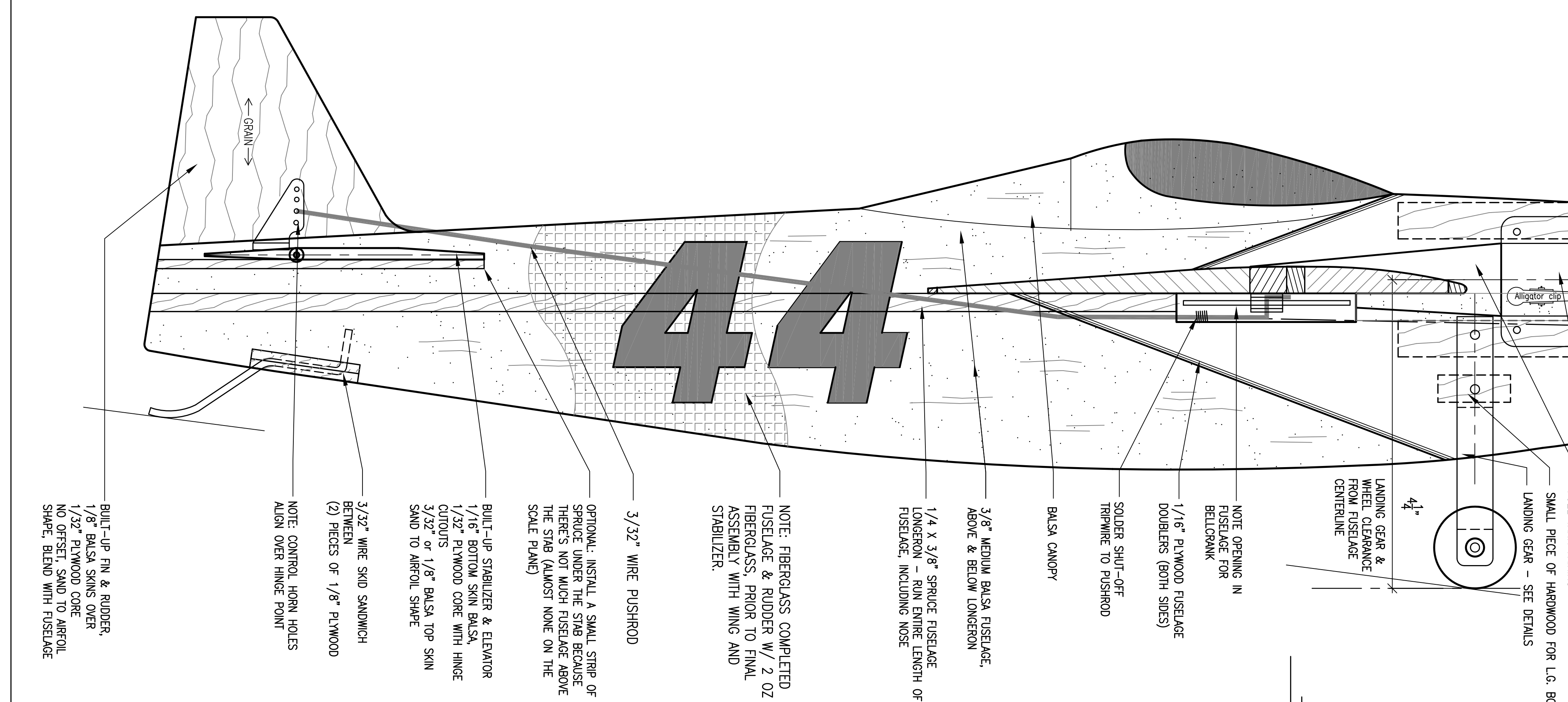
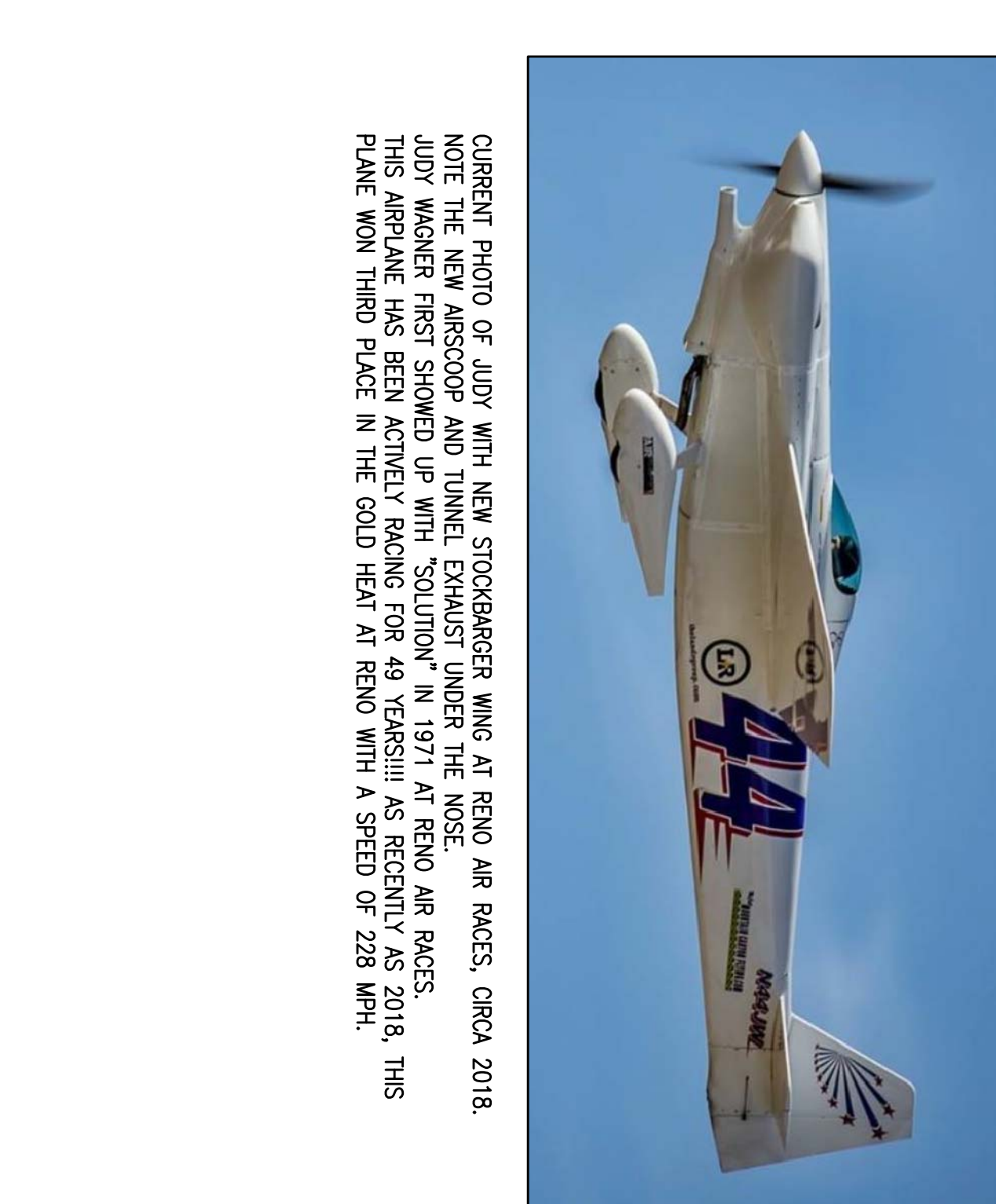
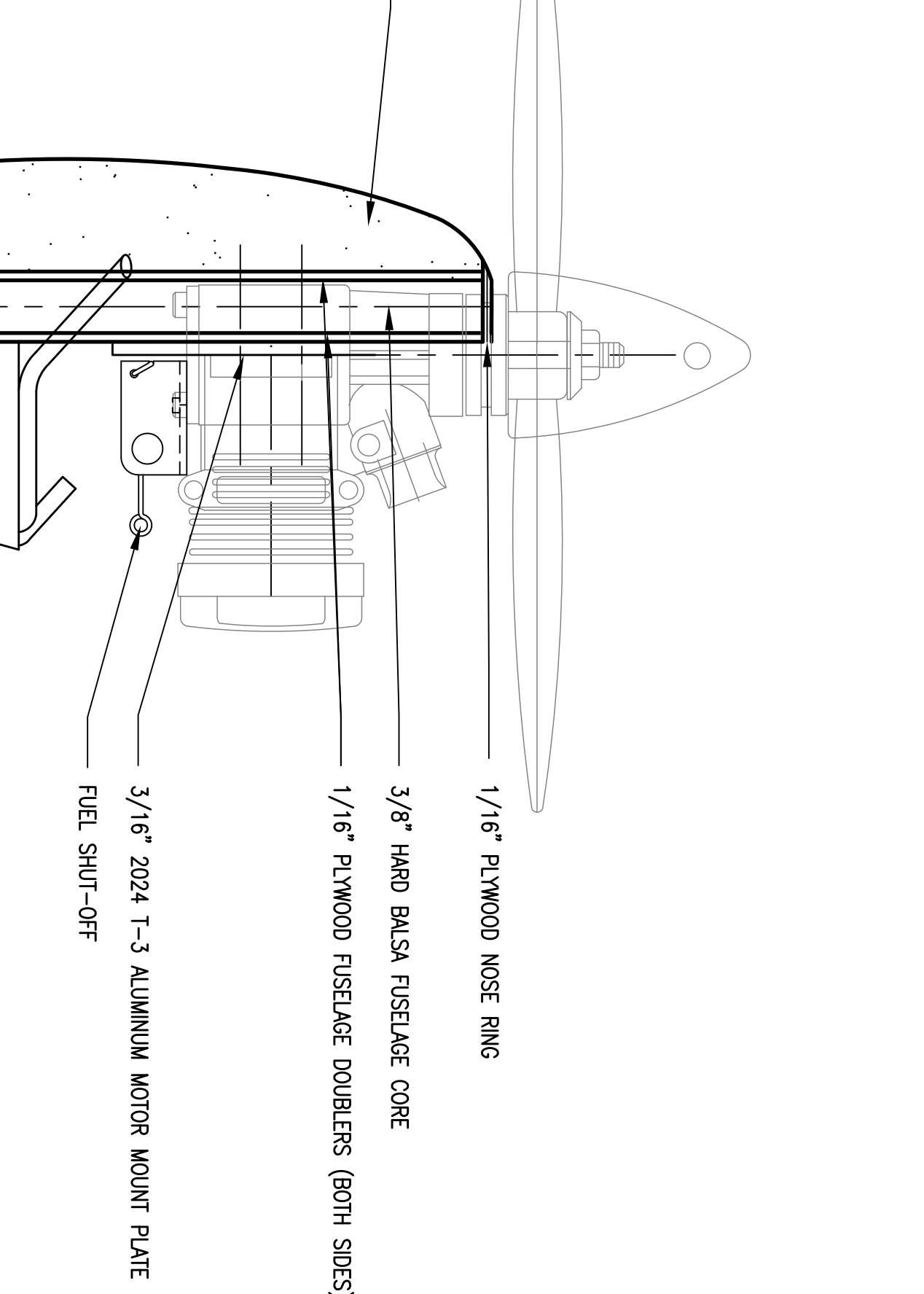
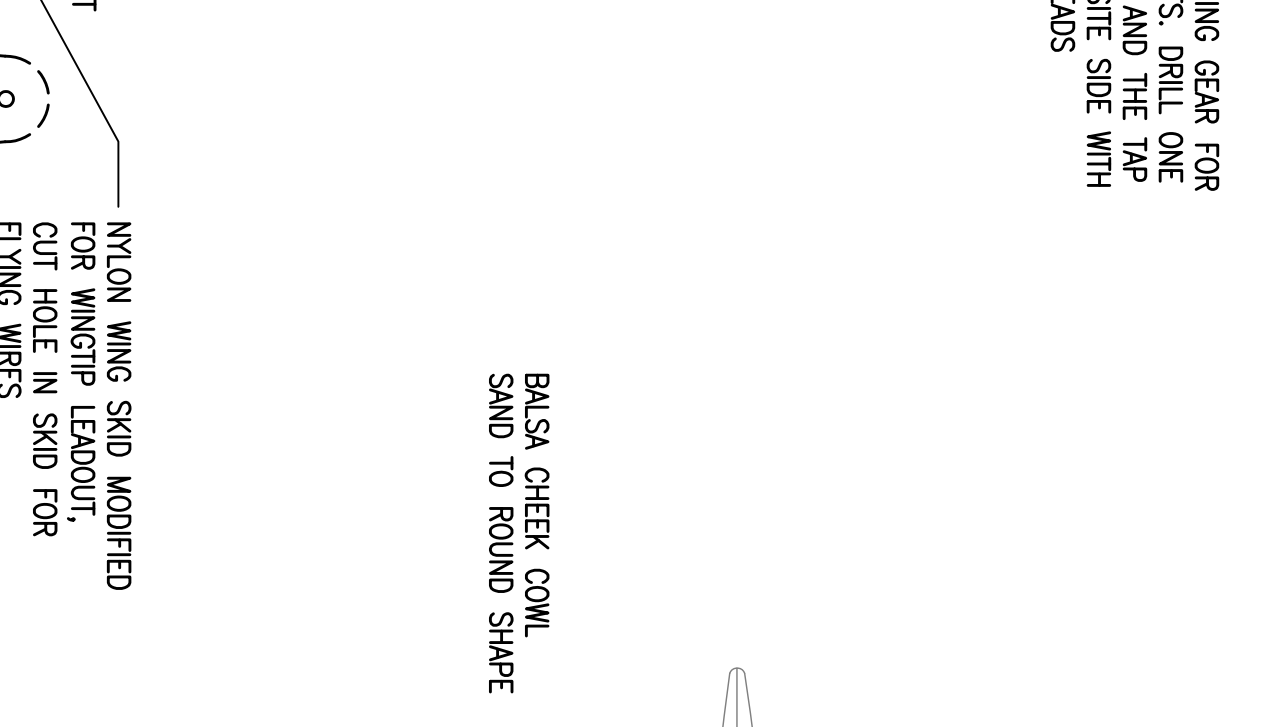
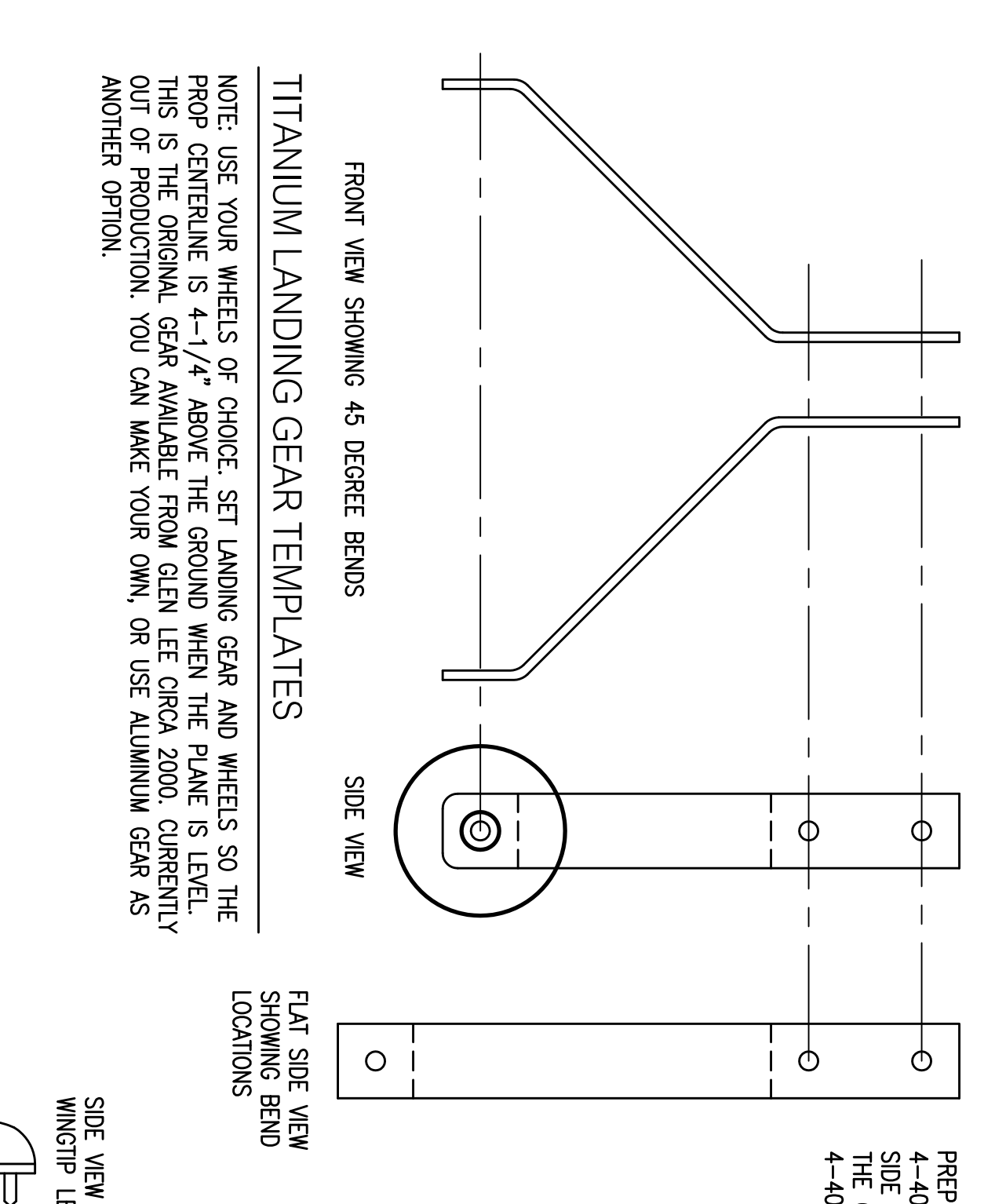
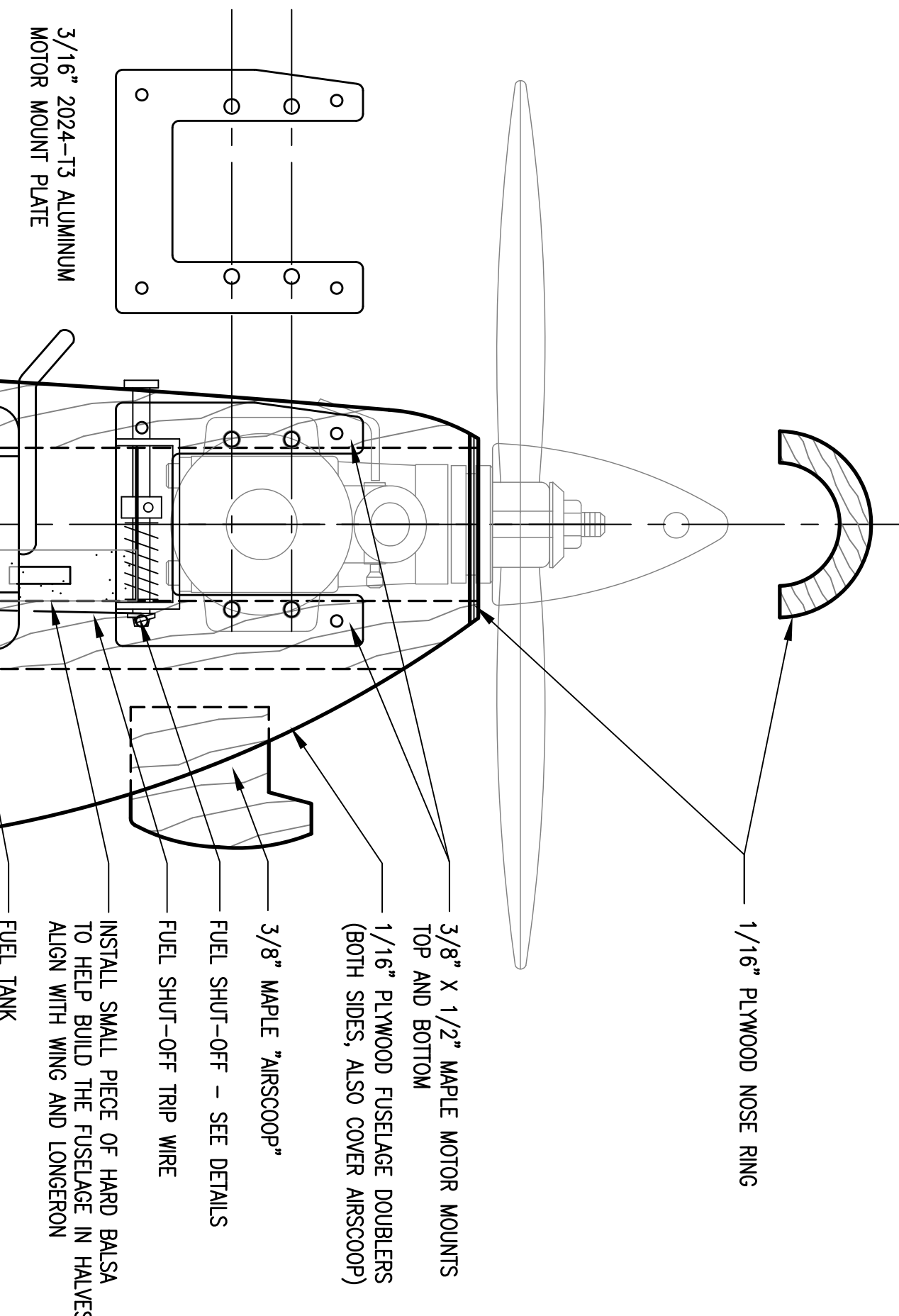




CURRENT PHOTO OF JUDY WITH NEW STOCKPILGER WING AT RENO AIR RACES, CIRCA 2018. NOTE THE NEW AIRSCOOP AND TUNNEL EXHAUST UNDER THE NOSE. JUDY WAGNER FIRST SHOWED UP WITH "SOLUTION" IN 1971 AT RENO AIR RACES. THIS AIRPLANE HAS BEEN ACTIVELY RACING FOR 49 YEARS!!! AS RECENTLY AS 2018, THIS PLANE WON THIRD PLACE IN THE GOLD HEAT AT RENO WITH A SPEED OF 228 MPH.



JUDY

RACE # 44 M44JW - Pilot Thomas Hauptman circa 1995

SPORT SCALE RACER DESIGNED BY DOUGLAS MAYER

© COPYRIGHT 2020 BY DOUGLAS MAYER

PRINT DATE - 07/13/2020

FUSELAGE = 23-3/8"

WING = 28-1/2"

STABILIZER = 9-3/4"

WING AREA = 142 SQ. IN.

STABILIZER AREA = 30 SQ. IN.

PLANS - DOUGLASMAYER58@GMAIL.COM

BILL BISCHOFF RACING SUPPLIES, FUEL TANKS, VENTURIS, LANDING GEAR, SHUTOFFS = BILLBISCHOFF@HOTMAIL.COM

PRINT PAPER SIZE 30" X 42"

INCHES 0 1 2 3 4 5 6